

# Improve the Safety & Look of Your Facility “Shield It” with the Original Bumper Post Sleeve



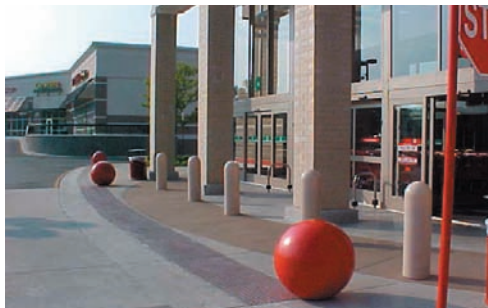
**Clean It Up**



**Highly Visible in  
OSHA Yellow**



**Custom Logos**



## Bumper Post Sleeve Features & Benefits:

### FEATURES

- Available in 1/8" & 1/4" wall thickness
- UV & Anti-Static Additives
- Cut to Custom Heights
- Covers Posts from 3" to 11"
- Polyethylene Thermoplastic

### BENEFITS

- Permanent Installation Reduces Theft
- Chemical & Water Resistant
- Custom Logos and Colors
- Improves Safety and Visibility



**Ideal Shield®**  
**Bumper Post Sleeve**  
*Three Step Installation*

## Frequently Asked Questions

### How do I clean the Ideal Sleeve®?

The Ideal Sleeve® is easily cleaned with environmentally friendly industrial strength detergent and water solutions. Avoid using abrasive cleaners.

### How does the Ideal Sleeve® hold up in the elements?

The Ideal Sleeve® withstands temperatures from 210°F to -40°F (99°C to -40°C). Cold storage and food processing plants like the Ideal Sleeve® because of its resistance to subzero temperatures. The Ideal Sleeve® is used in all climates across North America.

### How do I secure the Ideal Sleeve® to an existing bollard?

Simply apply a strip of neoprene adhesive tape 3" from the top edge of the post, leaving a 1" gap between the ends of the tape. At the bottom of the post wrap the neoprene adhesive tape completely around so that the ends of the tape meet this time. Slowly slide the sleeve over the post with a twisting motion. You will hear air being forced out of the sleeve. The sleeve will fit securely around the post.

### Can you match my company's colors?

OSHA yellow, red, blue, and black are the standard sleeve colors, however we can match almost any pantone or color sample to meet your company's needs. Custom logos are also available upon request.

**E-MAIL:** [info@idealshield.com](mailto:info@idealshield.com)

**WEBSITE:** [www.idealshield.com](http://www.idealshield.com)



### Bumper Post Sleeve Specs

### Fits Pipe 3 to 11 Inches

### Other Ideal Shield® Products

Pipe Size, Inches	Product Number	Height, Inches
3"	BPD-YL-3-60-S	60"
3 1/2"	BPD-YL-3.5-52-S	52"
3 1/2"	BPD-YL-3.5-68-S	68"
4"	BPD-YL-4-36-S	36"
4"	BPD-YL-4-52-S	52"
4"	BPD-YL-4-60-S	60"
5"	BPD-YL-5-52-S	52"
5"	BPD-YL-5-72-S	72"
6"	BPD-YL-6-52-S	52"
6"	BPD-YL-6-60-S	60"
6"	BPD-YL-6-65-S	65"
6"	BPD-YL-6-84-S	84"
7"	BPD-YL-7-56-S	56"
8"	BPD-YL-8-52-S	52"
8"	BPD-YL-8-60-S	60"
8"	BPD-YL-8-69-S	69"
10"	BPD-YL-10-69-S	69"

#### How to figure which sleeve size to order:

1. Measure the circumference, (distance around the post) you wish to cover.
2. Take that dimension and divide by pi (3.14) to receive the pipe size.  
  
Example: circumference is 21.5"  
divide by 3.14  
pipe size is 6 7/8"
3. The bumper post sleeve you need is a 6".

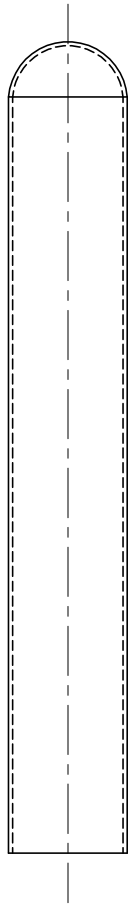
- Guardrail Systems
- Handrail Systems
- Sign Systems
- Goal Post Systems
- Cart Guides
- Wall Systems
- Bike Racks
- Cart Corrals

## IDEAL SHIELD, L.L.C.

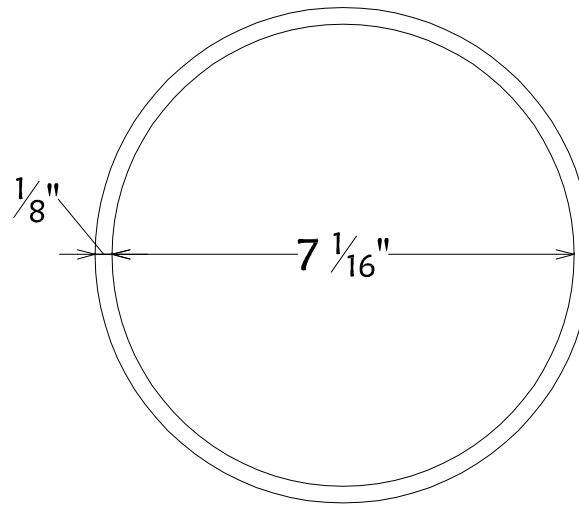
2525 Clark St. Detroit, MI 48209

(313) 842-7290 Fax (313) 842-7860

Toll Free: 1-800-731-1722



6" Sleeve



Cross Section of Sleeve

THIS DRAWING AND ALL THE INFORMATION THEREON IS THE PROPERTY OF THE IDEAL SHIELD, IS CONFIDENTIAL AND MUST NOT BE MADE PUBLIC, NOR COPIED, NOR USED, TO THE DISADVANTAGE OF SAID IDEAL SHIELD AND IS SUBJECT TO RETURN ON DEMAND.  
 COPYRIGHT 2003 ,  
 IDEAL SHIELD

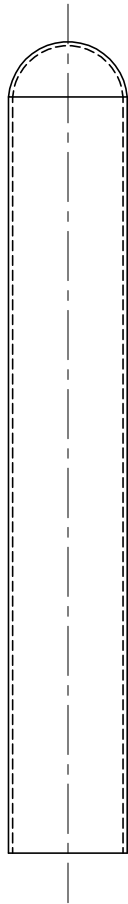
NO.	REVISIONS	DATE	APPROVED



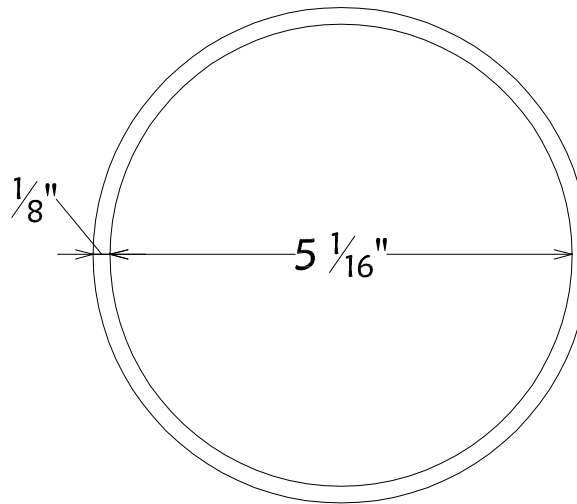
2525 Clark St.  
 Detroit, MI 48209

PROJECT	CUSTOMER	DESCRIPTION
		6' Sleeve

DRAWN BY	APPROVED BY	DATE
ACB		3/31/06
PROJECT NO.		



4" Sleeve



Cross Section of Sleeve

THIS DRAWING AND ALL THE INFORMATION THEREON IS THE PROPERTY OF THE IDEAL SHIELD, IS CONFIDENTIAL AND MUST NOT BE MADE PUBLIC, NOR COPIED, NOR USED, TO THE DISADVANTAGE OF SAID IDEAL SHIELD AND IS SUBJECT TO RETURN ON DEMAND.  
 COPYRIGHT 2003 ,  
 IDEAL SHIELD

NO.	REVISIONS	DATE	APPROVED



2525 Clark St.  
 Detroit, MI 48209

PROJECT	CUSTOMER	DESCRIPTION
		4' Sleeve

DRAWN BY	APPROVED BY	DATE
ACB		3/31/06
PROJECT NO.		



1-866-825-8659

# Bollard Cover Sizing Tool

Place paper horizontally over pipe from **\*\*OD to OD** to get a correct measurement.

\*Bollard cover sizes are Ideal Shield Specific

\*\*OD = Outside Diameter

This is the outside of your pipe

This is the inside of your pipe

Measure OD\*\* to OD\*\*  
This pipe will need a 3" bollard cover

3.5" OD = 3" Bollard Cover\*

4" OD = 3.5" Bollard Cover\*

4.5" OD = 4" Bollard Cover\*

5.563" OD = 5" Bollard Cover\*

6.625" OD = 6" Bollard Cover\*

7.5" OD = 7" Bollard Cover\*

8.625" OD = 8" Bollard Cover\*

Anything beyond 8" will need a 10" Bollard Cover\*

